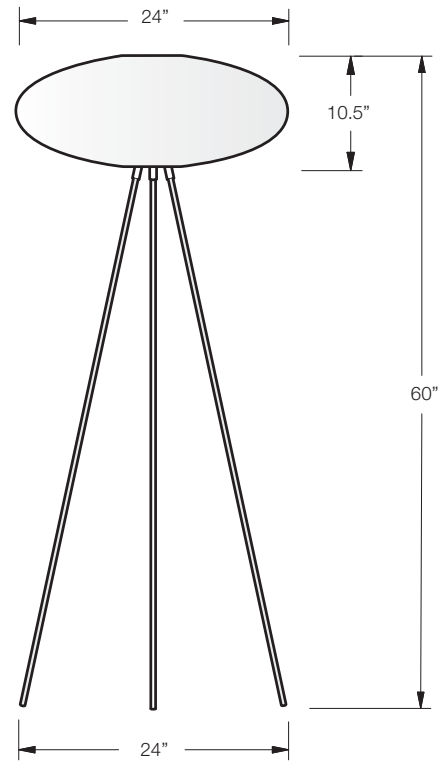


# dform | spiral saucer tripod



project: \_\_\_\_\_ quantity: \_\_\_\_\_

type: \_\_\_\_\_ notes: \_\_\_\_\_

model	shade material	lampholder type	voltage	metal finish
<b>FUS72</b>			<b>120</b>	

**size**  
shade: 24" W x 10" H  
OA: 60" H

**weight**  
8 lbs

**certification**



**standard**

- A =  aspen
- B =  birch


A = (1) 100w incandescent A19  
also compatible with fluorescent screw base  
lamps are not included



120 only

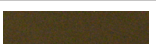
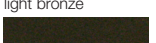
M1=  silver metallic

**custom**

P =  white poly

G = (1) 26w fluorescent GU24 twist lock



M2=  light bronze  
M3=  dark bronze

additional charges apply to custom options