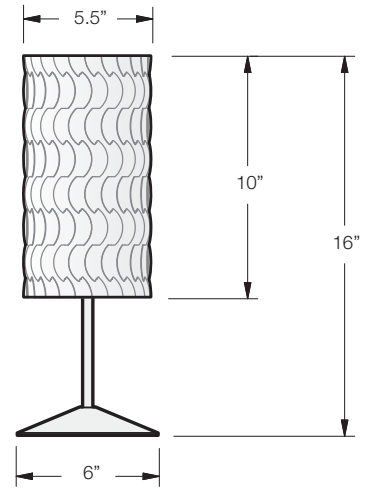


# dform | small pucci table lamp



project: \_\_\_\_\_ quantity: \_\_\_\_\_

type: \_\_\_\_\_ notes: \_\_\_\_\_

model	shade material	lampholder type	voltage	metal finish
<b>TS24</b>			<b>120</b>	



**size**  
shade: 5.5" W x 10" H  
OA: 16" H

**weight**  
4 lbs

**certification**



**standard**

- A =  aspen
- B =  birch

A = (1) 60w incandescent A19  
also compatible with fluorescent screw base  
lamps are not included



120 only

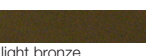
M1=  silver metallic


**custom**

P =  white poly

G = (1) 26w fluorescent GU24 twist lock



M2=  light bronze

M3=  dark bronze

additional charges apply to custom options