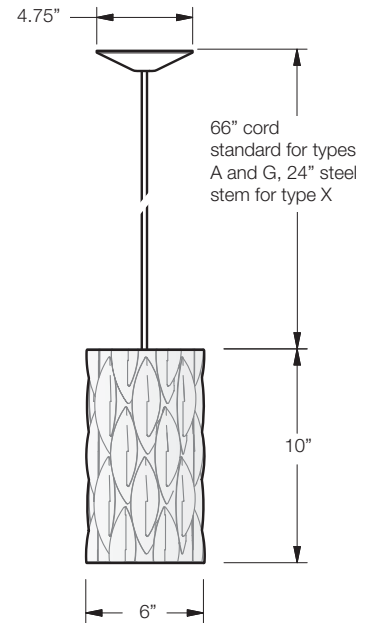


dform | scales pendant



model	shade material	lampholder type	voltage	suspension	metal finish	drop distance
PL40						

size 6" W x 10" H	standard A = B =	A = (1) 60w incandescent A19 also compatible with fluorescent screw base lamps are not included	120	C = white cord w/ canopy	M4= white	overall drop from ceiling to bottom of fixture in inches. Standard suspension cord length is 66" (adjustable). Please specify for longer cord.
weight 1 lb						
certification 	custom P = white poly additional charges apply to custom options	G = (1) 26w fluorescent GU24 twist lock X = (1) 26w fluorescent 4-pin GX24Q-3	277- lamp type X only	K = black cord w/ silver canopy T = steel tube stem w/ canopy	M1= silver M2= light bronze M3= dark bronze	optional steel suspension rods are 24" long and \$17 ea. Any cut length is available. Rods link end to end for longer lengths.

	material details	suspension options	mounting details
project:	<p>shade</p> <p>the standard shade material is 2-ply wood veneer with a poly core lamination and surface coating. The material is cleanable with soap water and cloth or household spray cleaners.</p> <p>the custom white poly material can also be made in other colors.</p> <p>hardware</p> <p>all hardware is steel or aluminum with a powder coat finish.</p>		
type:			
quantity:			
notes:			