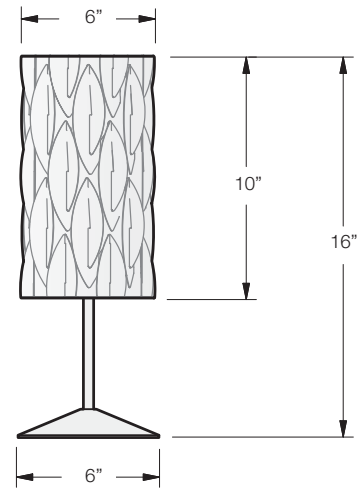


dform | scales table lamp



project: _____ quantity: _____

type: _____ notes: _____

model	shade material	lampholder type	voltage	metal finish
TL40			120	



size
shade: 6" W x 10" H
OA: 16" H

weight
4 lbs

certification



standard

- A =  aspen
- B =  birch

A = (1) 60w incandescent A19
also compatible with fluorescent screw base
lamps are not included



120 only

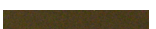
M1=  silver metallic

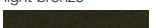
custom

P = white poly

G = (1) 26w fluorescent GU24 twist lock



M2=  light bronze

M3=  dark bronze

additional charges apply to custom options