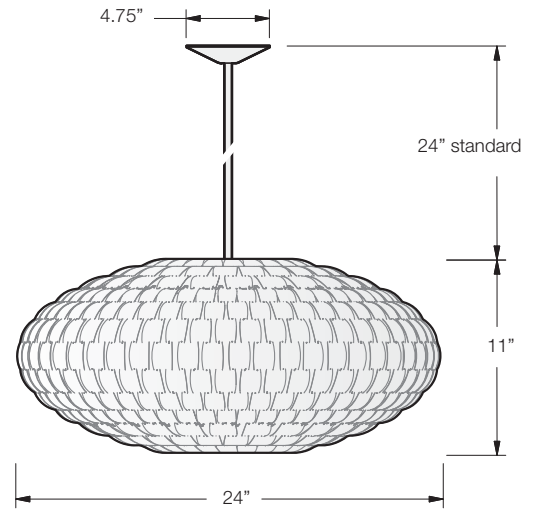


dform | basket saucer 24



model	shade material	lampholder type	voltage	suspension	metal finish	drop distance
UB96						

size 24" W x 11" H weight 6 lbs certification 	standard A = aspen B = birch	A = (2) 60w incandescent A19 also compatible with fluorescent screw base lamps are not included	120 	T = steel tube stem w/ canopy	M1= silver metallic	overall drop from ceiling to bottom of fixture in inches. Standard suspension rod length is 24", any cut length up to 48" is no additional charge over 48" add \$17 per 24" length
	custom P = white poly additional charges apply to custom options	G = (2) 26w fluorescent GU24 twist lock 	277 - lamp type X & D only	S = steel tube stem w/ swivel canopy R = aircraft cable w/ cable canopy 	M2= light bronze M3= dark bronze	

	material details	suspension options	mounting details
--	------------------	--------------------	------------------

project:

type:

quantity:

notes:

shade
the standard shade material is 2-ply wood veneer with a poly core lamination and surface coating. The material is cleanable with soap water and cloth or household spray cleaners.
the custom white poly material can also be made in other colors.

diffuser
a matte white acrylic diffuser in the bottom of the fixture is standard.

hardware
all hardware is steel with a powder coat finish, or aluminum or stainless with a brushed finish.

