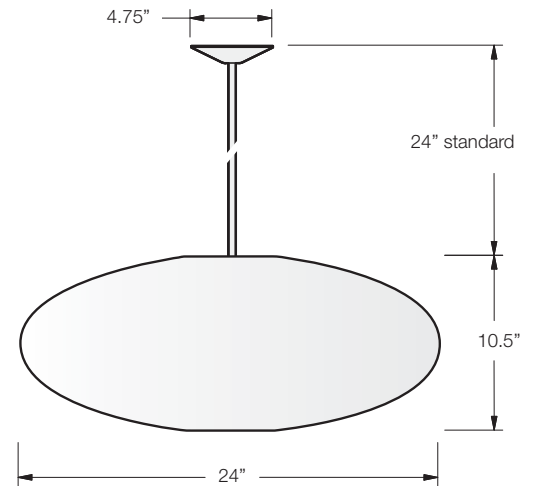


dform | spiral saucer 24



| model | shade material | lampholder type | voltage | suspension | metal finish | drop distance |
|-------------|----------------|-----------------|---------|------------|--------------|---------------|
| US72 | | | | | | |

| size | standard | lampholder type | voltage | suspension | metal finish | drop distance |
|---------------|---|--|----------------------------|--|---------------------------------------|---|
| W x H | A = aspen B = birch | A = (2) 60w incandescent A19 also compatible with fluorescent screw base lamps are not included | 120 | T = steel tube stem w/ canopy | M1= silver metallic | overall drop from ceiling to bottom of fixture in inches. Standard suspension rod length is 24", any cut length up to 48" is no additional charge |
| weight | | | | | | |
| 9 lbs | | | | | | |
| certification | custom | lampholder type | voltage | suspension | metal finish | drop distance |
| | P = white poly additional charges apply to custom options | G = (2) 26w fluorescent GU24 twist lock X = (2) 26w fluorescent 4-pin GX24Q-3 D = (2) 26w fluorescent 4-pin GX24Q-3 dimmable | 277 - lamp type X & D only | S = steel tube stem w/ swivel canopy R = aircraft cable w/ cable canopy | M2= light bronze M3= dark bronze | over 48" add \$17 per 24" length |

| | material details | suspension options | mounting details |
|-----------|--|--------------------|---|
| project: | shade the standard shade material is 2-ply wood veneer with a poly core lamination and surface coating. The material is cleanable with soap water and cloth or household spray cleaners. | standard canopy | <p>an octagonal junction box in the ceiling is required for mounting.</p> |
| type: | the custom white poly material can also be made in other colors. | swivel canopy | |
| quantity: | diffuser a matte white acrylic diffuser in the bottom of the fixture is standard. | cable canopy | |
| notes: | hardware all hardware is steel with a powder coat finish, or aluminum or stainless with a brushed finish. | | |